

# 1140960 ET 300 N 230V 50HZ 30MT

3231892\_1140960\_R09W - R09W (17/1/2022)



#### Access Platform Division

Via San Francesco d'Assisi, 8 - 46020 Pegognaga (Mantova) - ITALY Tel. +39 0376  
554011 - Fax +39 0376 559855

[www.imergroup.com](http://www.imergroup.com)

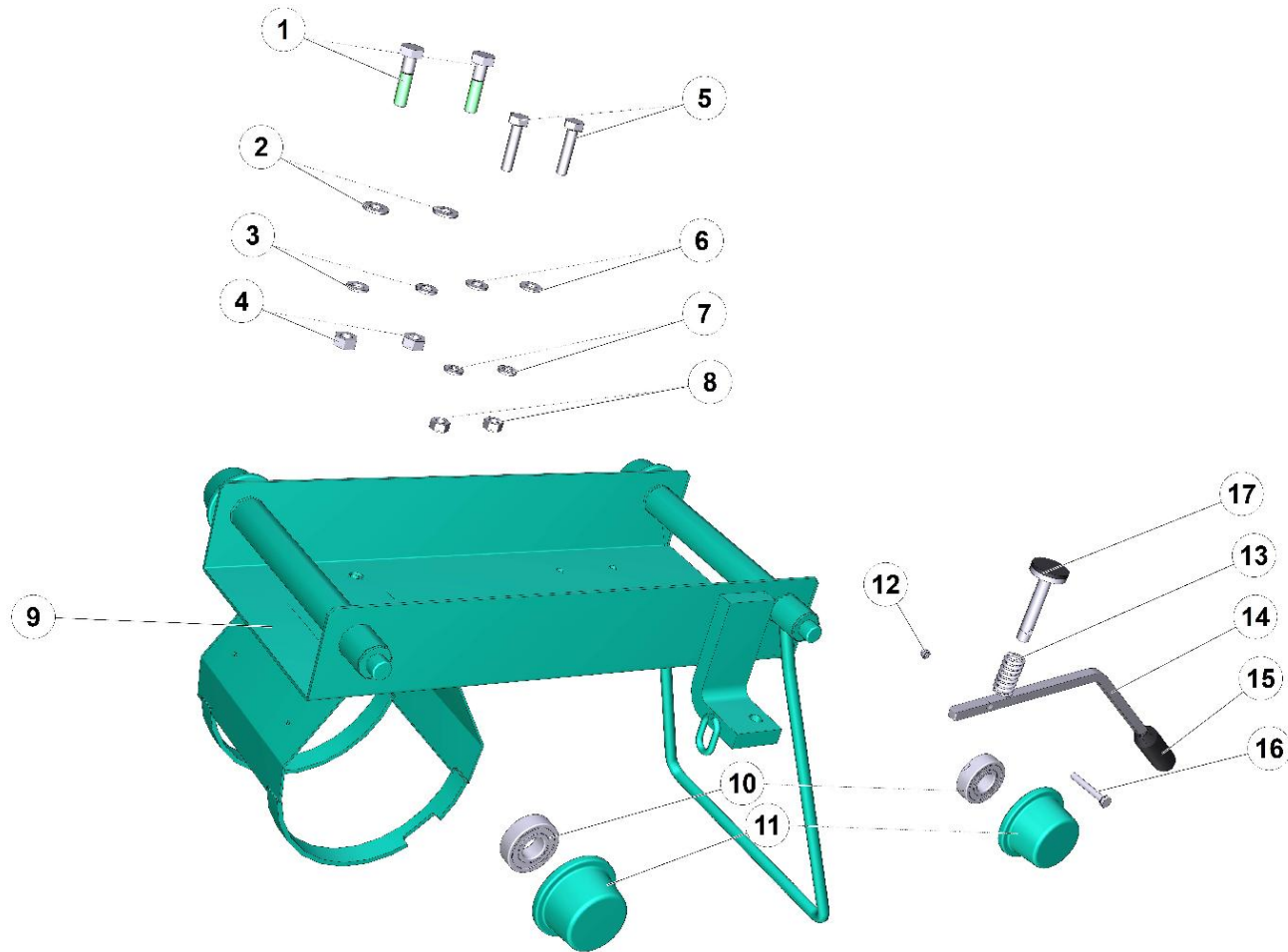
#### Building Equipment Division

Via della Meccanica, 39 (Zona Industriale Sentino) - 53040 Rapolano Terme  
(Siena) - ITALY - Tel. +39 0577 97341 - Fax +39 0577 704077

[www.imergroup.com](http://www.imergroup.com)

[www.imerglobalcustomercare.com](http://www.imerglobalcustomercare.com)

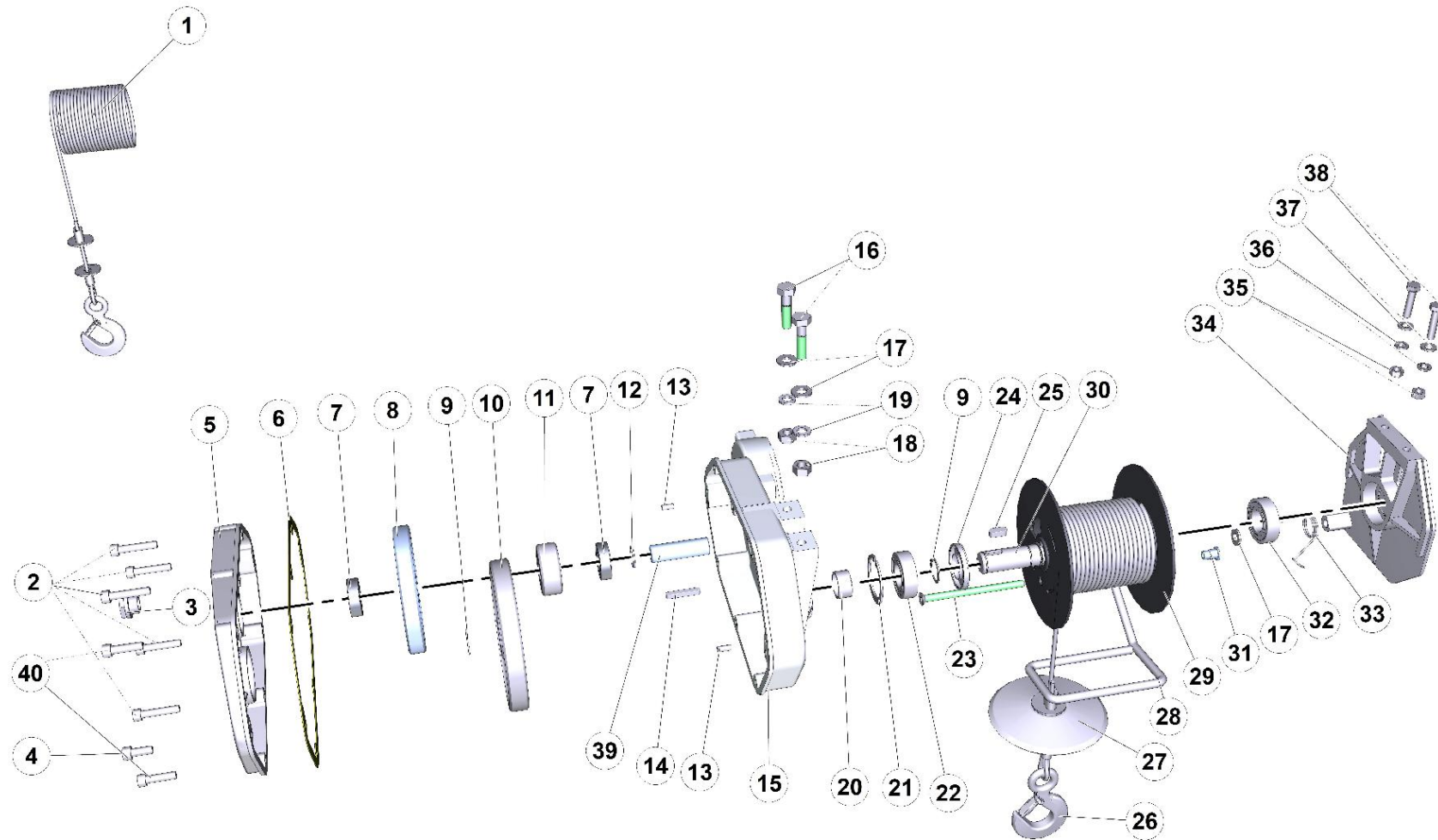
FRAME





N.	CODE	DESCRIPTION	UM	QTY
1	2222099	SCREW	PZ	2.0
2	2224340	ROLLER/MORTAR PUMP	PZ	2.0
3	2224074	2224074 WASHER LOCK	PZ	2.0
4	2223650	NUT	PZ	2.0
5	2222018	SCREW	PZ	2.0
6	2224140	ROLLER 6593	PZ	2.0
7	2224060	ROLLER GROWER	PZ	2.0
8	2223570	NUT	PZ	2.0
9	3213578	Frame	PZ	1.0
10	2204482	Roller	PZ	4.0
11	2211600	WHEELS	PZ	4.0
12	2223927	NUT	PZ	1.0
13	2231507	SPRING	PZ	1.0
14	3213581	Lever	PZ	1.0
15	2284876	HANDLE	PZ	1.0
16	2222017	SCREW	PZ	1.0
17	3208517	PISTON	PZ	1.0

# ROPE GEAR BOX



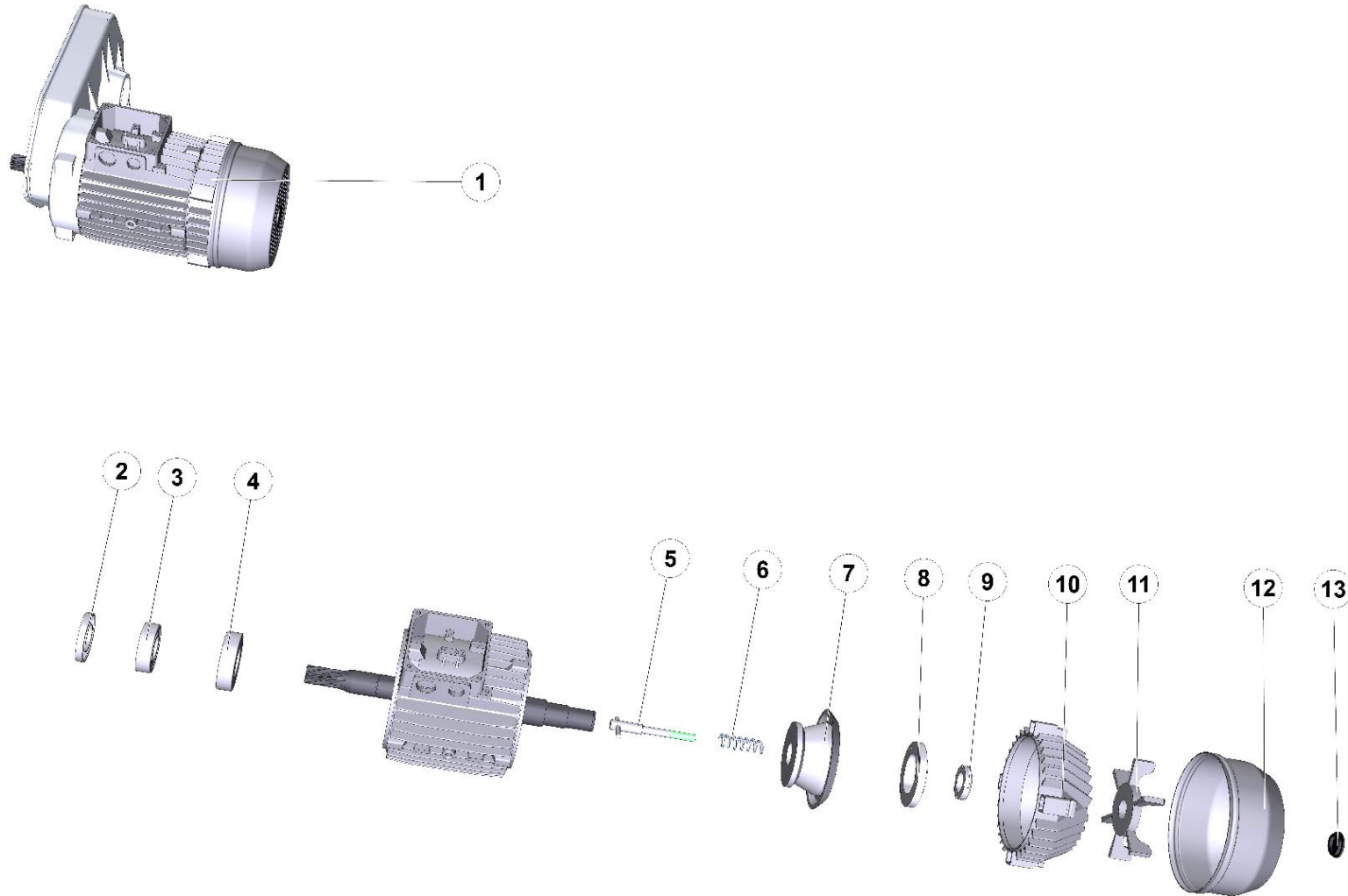


N.	CODE	DESCRIPTION	UM	QTY
1	3233148	KIT HOOK + ROPE 5X31M+FERULA ES 150 N	PZ	1.0
2	2222514	SCREW	PZ	5.0
3	2235420	level	PZ	1.0
4	2222509	SCREW	PZ	1.0
5	3225254	GEARMOTOR FLANGE	PZ	1.0
6	2216331	GASKET	PZ	1.0
7	2204440	Bearing	PZ	2.0
8	3213528	GEAR Z76 M1,75	PZ	1.0
9	2227280	2227280 RING SNAP	PZ	2.0
10	3213529	GEAR Z76 M2	PZ	1.0
11	2202566	GEAR WHEEL	PZ	1.0
12	2237301	SPACER	PZ	1.0
13	2228820	Gudgeon pin	PZ	2.0
14	2229327	KEY	PZ	1.0
15	3231895	REDUCER CASING ET 300 N HOIST	PZ	1.0
16	2222099	SCREW	PZ	2.0
17	2224340	ROLLER/MORTAR PUMP	PZ	2.0
18	2223650	NUT	PZ	2.0
19	2224074	2224074 WASHER LOCK	PZ	2.0
20	2237299	SPACER	PZ	1.0
21	2227700	STOP RING	PZ	1.0



N.	CODE	DESCRIPTION	UM	QTY
22	2204550	Bearing	PZ	1.0
23	3235448	SCREW TSPEI 10.9 5933 8X120 Z	PZ	1.0
24	2207355	STOP RING	PZ	1.0
25	2229450	KEY	PZ	1.0
26	2213267	HOOK	PZ	1.0
27	2214510	BALLAST B 300	PZ	1.0
28	3231598	UPPER LIMIT SWITCH LEVER ET 300 N	PZ	1.0
29	3235880	DRUM KIT L=125 FOR ROPES ? 4 and ? 5	PZ	1.0
30	2201725	SHAFT	PZ	1.0
31	2224005	THREADED INSERT M8*9418-2822*	PZ	1.0
32	2204391	Bearing	PZ	1.0
33	3225319	SPRING	PZ	1.0
34	2203155	SUPPORT	PZ	1.0
35	2223570	NUT	PZ	2.0
36	2224060	ROLLER GROWER	PZ	2.0
37	2224140	ROLLER 6593	PZ	2.0
38	2222018	SCREW	PZ	2.0
39	2201130	SHAFT	PZ	1.0
40	2222513	SCREW	PZ	2.0

# ELECTRIC MOTOR



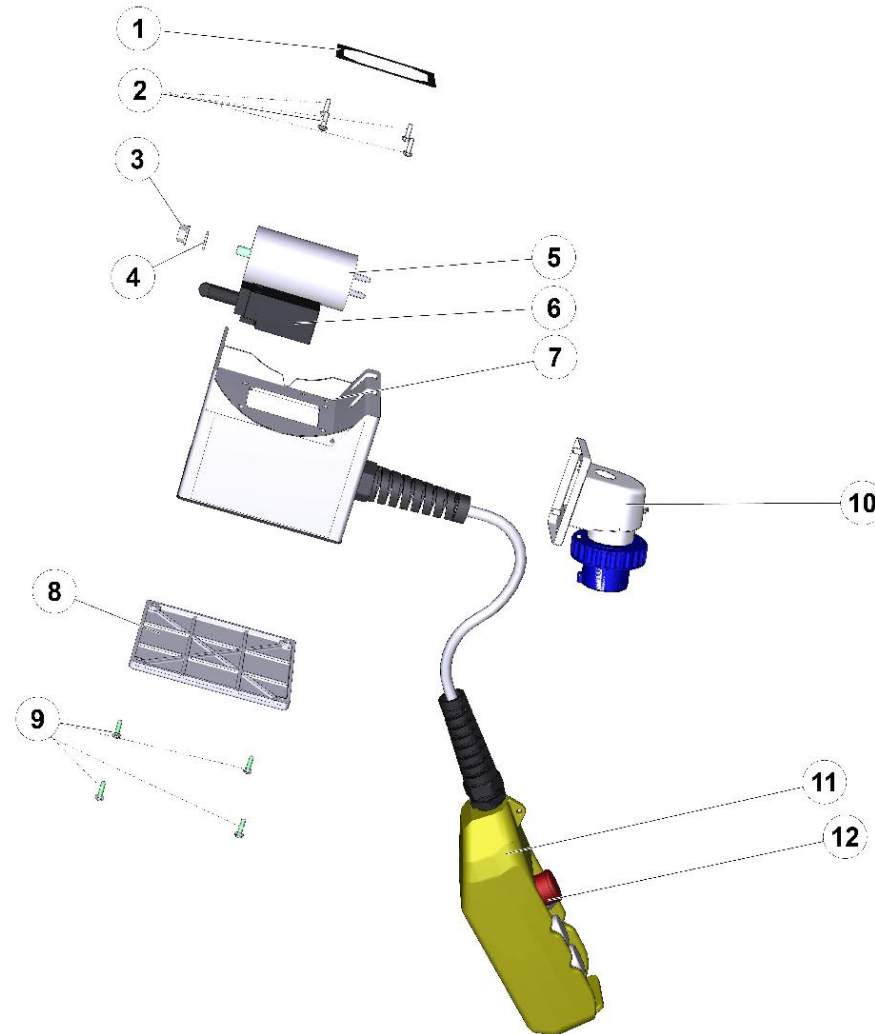
C



N.	CODE	DESCRIPTION	UM	QTY
1	3231880	SELF-BRAKING MOTOR 1,1 KW 230V-50HZ ET 3	PZ	1.0
2	2207355	STOP RING	PZ	1.0
3	2204391	Bearing	PZ	1.0
4	3208952	BEARING/MN	PZ	1.0
5	3225016	ENGINE CYLINDER 4369 230V	PZ	1.0
6	3225015	ENGINE BRAKE SPRING 4369 230V	PZ	1.0
7	3225012	BLOCK FOR BRAKE	PZ	1.0
8	3233441	FIR MEC 90 MOTOR LOCKING NUT	PZ	1.0
9	3300780	RING M30X1,5	PZ	1.0
10	3233435	PM 2346031 MOTOR FIR MEC SHIELD 90	PZ	1.0
11	3233442	4387042 FAN MOTOR FIR MEC 90	PZ	1.0
12	3233440	234641 ENGINE FAN COVER FIR MEC 90	PZ	1.0
13	3225021	MOTOR FAN COVER CAP 4369 230V	PZ	1.0



# ELECTRIC PANEL PENDANT CONTROL



**D**



N.	CODE	DESCRIPTION	UM	QTY
1	2216321	GASKET	PZ	1.0
2	2222460	SCREW/CONC.MIXER	PZ	4.0
3	2223570	NUT	PZ	1.0
4	2224140	ROLLER 6593	PZ	1.0
5	3233282	CAPACITOR MF. 70 V400 D50X118 F.S. + SHA	PZ	1.0
6	3200005	DOWN LIMIT SWITCH	PZ	1.0
7	3224573	ELECTRICAL BOX ET200 N	PZ	1.0
8	3224575	ELECTRICAL BOX COVER TR-ET N	PZ	1.0
9	2222461	SCREW/MN	PZ	4.0
10	3203084	PIN	PZ	1.0
11	3231738	PUSH BUTTON PANEL 3P 30A 3NO+1NC + M25 D	PZ	1.0
12	3234223	'EMERGENCY BUTTON "K" ELEVATOR PUSH BU	PZ	1.0



**Access Platform Division**

Via San Francesco d'Assisi, 8 - 46020 Pegognaga (Mantova) - ITALY Tel. +39 0376  
554011 - Fax +39 0376 559855

[www.imergroup.com](http://www.imergroup.com)

**Building Equipment Division**

Via della Meccanica, 39 (Zona Industriale Sentino) - 53040 Rapolano Terme  
(Siena) - ITALY - Tel. +39 0577 97341 - Fax +39 0577 704077

[www.imergroup.com](http://www.imergroup.com)